



ELECTRIC FORKOVER STACKER

ES 15

Make
Your Job
Easier

www.staxxmhe.com

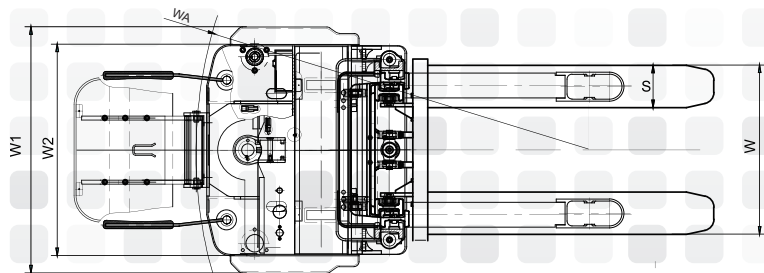
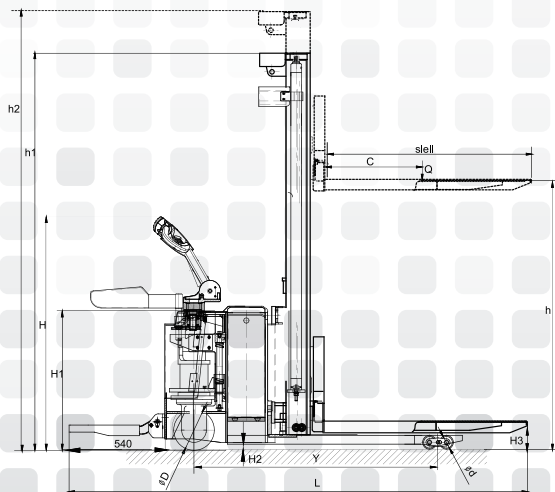


ES 12/15/20



ELECTRIC FORKOVER STACKER

MODEL			ES12D	ES15D	ES20D	ES15T	ES20T	ES12FD	ES15FD	
CHARACTERISTICS										
1.1	Mast Type		Duplex			Triplex		Duplex mast & free lift		
1.2	Mast profile		H model			H model		H model		
1.3	Type of drive		Full Electric			Full Electric		Full Electric		
1.4	Operator type		Rider			Rider		Rider		
1.5	Capacity	Q kg	1200	1500	2000	1500	2000	1200	1500	
1.6	Load center	C mm	600	600	600	600	600	600	600	
1.7	Wheel base	Y mm	1380	1380	1395	1395	1395	1380	1380	
1.8	Electric power steering(EPS)		optional							
WEIGHT										
2.1	Service weight without battery	kg	855	880	970	1045	1185	870	880	
2.2	Service weight with battery	kg	1065	1090	1180	1255	1395	1080	1090	
WHEEL										
3.1	wheel type		PU	PU	PU	PU	PU	PU	PU	
3.2	Size of front wheels	Φd mm	Φ78	Φ78	Φ78	Φ78	Φ78	Φ78	Φ78	
3.3	Size of rear wheels	mm	Φ124	Φ124	Φ124	Φ124	Φ124	Φ124	Φ124	
3.4	Size of drive wheels	ΦD mm	Φ230	Φ230	Φ230	Φ230	Φ230	Φ230	Φ230	
3.5	Wheels quantity	pcs	1/2/4							
CHASSIS										
4.1	Mast lower height	h1	2045			2075		2045		
4.2	Mast extend height	h2 mm	3540	3535		5095		3535		
4.3	Overall length (with platform)	L mm	2530	2580		2590	2615	2540	2540	
4.4	Overall length (without platform)	mm	1990	2040		2040	2075	2000	2000	
4.5	Rear body width	W1 mm	800	800	800	800/960 (h≥5500mm:960mm)	800/960 (h≥4000mm:960mm)	800	800	
4.6	Rear body length	mm	585	585	585	585	585	585	585	
4.7	Overall width	W2 mm	800	800	940	940 (h≥5500mm:1100mm)	940/1100 (h≥4000mm:1100mm)	800	800	
4.8	Height of tiller arm in drive position min./max.	H mm	1030-1200							
4.9	Rear body height	H1 mm	800	800	800	800	800	800	800	
SPECIFICATIONS										
5.1	Clearance	H2 mm	30	30	30	30	30	30	30	
5.2	Fork length	Sl ell mm	1150	1150	1150	1150	1150	1150	1150	
5.3	Overall fork width	W mm	560/680							
5.4	Min. Turning radius (with platform)	Wa mm	2075			2110		2095		
5.4	Min. Turning radius (without platform)	Wa mm	1570			1585		1570		
5.5	Lowered height of fork	H3 mm	90	90	90	90	90	90	90	
5.6	Fork width	S mm	170	170	185	170	185	170	170	
5.7	Lifting height	h mm	3000	3000	3000	4500	4500	2500/3000/3300		
5.8	Freelift height	mm	—			1550	1550	1300/1550/1700		
5.9	Aisle width (800*1200mm pallet)	Ast mm	3070			3115		3070		
5.10	Aisle width (800*1200mm pallet)	Ast mm	2530			2575		2530		
5.11	Aisle width (1000*1200mm pallet)	Ast mm	3140			3175		3140		
5.12	Aisle width (1000*1200mm pallet)	Ast mm	2600			2635		2600		
PERFORMANCE										
6.1	Travel speed	laden	km/h	5	5	5	5	5	5	5
		unladen	km/h	5.3	5.3	5.3	5.3	5.3	5.3	5.3
6.2	Lift speed	laden	mm/s	58	58	58	58	58	58	58
		unladen	mm/s	148	148	148	148	148	148	148
6.3	lower speed	laden	mm/s	145	145	145	145	145	145	145
		unladen	mm/s	80	80	80	80	80	80	80
6.4	Gradeability	laden	%	5	5	5	5	5	5	5
		unladen	%	7	7	7	7	7	7	7
DRIVING SYSTEM										
7.1	Brake type		electromagnetic							
7.2	Drive motor	kw	1.5(vertical tor+EPS)							
7.3	Lift motor	kw	3							
7.4	Battery voltage/capacity	V/Ah	24V 210/270/340Ah							
7.5	Battery weight	kg	210							
7.6	battery size	mm	790×210×576							
7.7	control system		F2-A(CURTIS)							



ES 12/15/20

ELECTRIC FORKOVER STACKER

ES12D (with Duplex)

LIFTING HEIGHT (mm)	MAST LOWER HEIGHT (mm)	MAST EXTEND HEIGHT (mm)	SERVICE WEIGHT WITH BATTERY (Kg)
1600	2050	2070	930
2500	1795	3040	1030
3000	2045	3540	1065
3300	2195	3840	1085
3500	2295	4040	1100
4000	2545	4540	1120

ES15D (with Duplex)

LIFTING HEIGHT (mm)	MAST LOWER HEIGHT (mm)	MAST EXTEND HEIGHT (mm)	SERVICE WEIGHT WITH BATTERY (Kg)
1600	2050	2070	1090
2500	1795	3040	1110
3000	2045	3540	1120
3300	2195	3840	1150
3500	2295	4040	1200
4000	2545	4540	1220

ES20D (with Duplex)

LIFTING HEIGHT (mm)	MAST LOWER HEIGHT (mm)	MAST EXTEND HEIGHT (mm)	SERVICE WEIGHT WITH BATTERY (Kg)
1600	2050	2070	1090
2500	1795	3035	1140
3000	2045	3535	1180
3300	2195	3835	1205
3500	2295	4035	1220
4000	2545	4535	1260

www.staxxmhe.com

ES12FD&15FD(with Duplex & Free lift)

LIFTING HEIGHT (mm)	MAST LOWER HEIGHT (mm)	MAST EXTEND HEIGHT (mm)	FREE LIFT (mm)	SERVICE WEIGHT WITH BATTERY (Kg)
2500	1790	3025	1300	1060
3000	2045	3535	1550	1080
3300	2195	3835	1700	1100

ES15T (with Triplex)

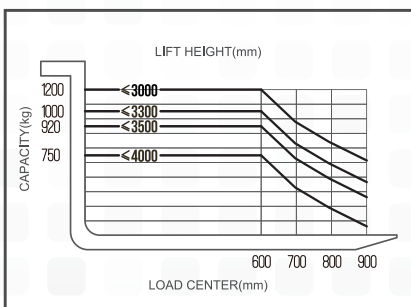
LIFTING HEIGHT (mm)	MAST LOWER HEIGHT (mm)	MAST EXTEND HEIGHT (mm)	FREE LIFT (mm)	SERVICE WEIGHT WITH BATTERY (Kg)
3700	1808	4296	1284	1200
4000	1908	4596	1384	1220
4300	2008	4896	1484	1240
4500	2075	5095	1550	1255
4800	2175	5395	1650	1275
5000	2245	5595	1716	1290
5300	2345	5895	1816	1310
5500	2415	6095	1884	1350

ES20T(with Triplex)

LIFTING HEIGHT (mm)	MAST LOWER HEIGHT (mm)	MAST EXTEND HEIGHT (mm)	FREE LIFT (mm)	SERVICE WEIGHT WITH BATTERY (Kg)
3700	2395	4235	—	1260
4000	1908	4596	1384	1355
4300	2008	4896	1484	1380
4500	2075	5095	1550	1395
4800	2175	5395	1650	1420
5000	2245	5595	1716	1435
5300	2345	5895	1816	1460
5500	2415	6095	1884	1475
5800	2515	6395	1984	1500
6000	2570	6585	2050	1515
6200	2655	6795	2150	1530

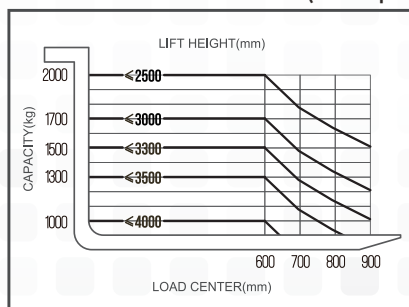
LOAD CHART

ES12D (with Duplex)



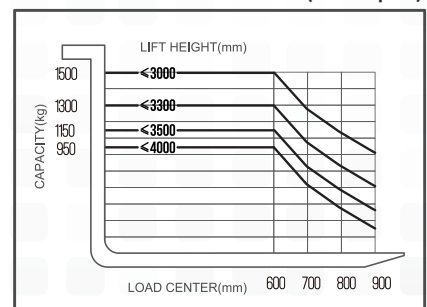
LOAD CHART

ES20D (with Duplex)



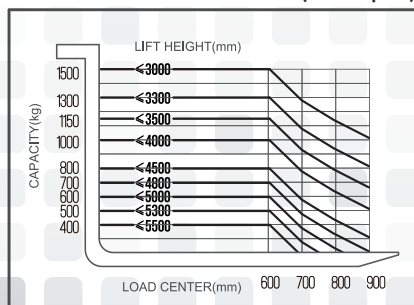
LOAD CHART

ES15D (with Duplex)



LOAD CHART

ES15T (with Triplex)



LOAD CHART

ES20T (with Triplex)

